

IR External Dome Camera

EVO2-VPDIRVF600WDR-3.3~12



600 TVL, D/N, IR, WDR External Dome Camera

The EVO2-VPDIRVF600WDR-3.3~12 External dome camera provides 600TVL high resolution images, Day/Night operation (via removal of IR cut filter), WDR and comes with IR Led's for night time operation. Combined with a 3.3-12mm varifocal lens, and with a fully directional 3-Axis Magnetic Mount, this camera is ideal for a number of security applications.



PRODUCT FEATURES:

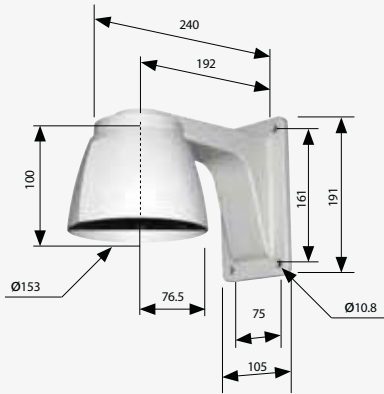
- 600TVL(Day) / 650TVL(Night)
- Day & Night (removable IR cut filter)
- 3.3-12mm VF DC Iris lens
- Wide Dynamic Range
- 2D/3DNR (Noise Reduction)

- IR distance up to 25m
- Motion Detection
- DIS (Digital Image Stabilizer)
- EHLC (Excessive High Light Compensation)
- RS-485 Interface (Pelco-D)

- 12VDC/24VAC Non-polarity Power Input
- Magnetic mount (3-Axis)
- IP66 Housing
- Install in both surface or flush mount applications

Note: Camera default settings are: D/N–Auto, WDR–ON, 3DNR–ON.
Further changes can be made by using the optional wired dome remote (S82710 EVO2-IR Wired Dome Remote)

ACCESSORIES: (OPTIONAL)



- EVO2-140WM (S82711): Wall Mount Bracket



- EVO2-IR Wired Dome Remote (S82710)

Available at:



www.pacom.com.au



www.das.com.au



www.hillsec.co.nz



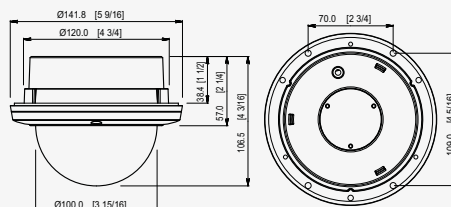
SPECIFICATIONS:

MODEL	EVO2-VPDIRVF600WDR-3.3-12 (S82022)	
Image sensor	1/3" Sony Super HAD CCD II	
Effective pixels	752 (H) X 582 (V)	
Resolution	600TV Lines (Day) / 650TV Lines (Night)	
Synchronizing system	Internal	
Scanning system	PAL : 625 Lines 2:1 Interlaced	
Video output	1.0Vp-p Composite 750ohms	
S/N ratio	More than 52dB(AGC Off)	
Min.Illumination	0.1Lux at F1.4 (Sens-up Off), 0.0001Lux at F1.2 (Sens-up, x512)	
Shutter speed	PAL : 1/50~90,000sec.	
Gamma control	Standard $\gamma=0.45$	
White Balance	1500°K ~ 11,000°K Auto. ATW / Cor-Roll / PUSH / MANUAL selectable by OSD	
Gain control	Standard : -6dB ~ 34dB Auto / Maximum by OSD	
Smear effect	0.005%	
Power source	12VDC / 24VAC	
Operating current	300mA at 12VDC (600mA w/ IR ON) 150mA at 24VAC (300mA w/IR ON)	
Lens	2.8~12mm Varifocal DC Iris Lens at F1.4	
LED Spectrum	850nm (Ø8) x 10 EA	
Viewable Distance	Up to 25m	
Operating temp	-10°C ~ 50°C	
Humidity	0%RH ~ 90%RH	
Measurement(mm)	150(Ø) x 115.7(H)	
Weight (Approx.g)	1,900	
FUNCTION	WDR	Off / On(User selectable by OSD)
	2D/3DNR	Off / On(User selectable by OSD)
	Sens-up	Off/x2 ~ x512
	Motion detection	Off / On(8 Zone setting available)
	Digital zoom	Off/x1 ~ x8.3
	White balance	ATW / Cor_Roll / PUSH / MANUAL
	Privacy mask	Off / On (8 Zone setting available)

*Specifications are subject to change without prior notice for better improvement.

NET DIMENSIONS:

Flush Mount



Surface Mount

